

KARDEX

Home Products Division

3/16/00

Release # 101

Kitchen~Trievers & the ADA

PURPOSE.

This document contains two of the technical requirements from the accessibility guidelines of the ADA that could relate to the Kardex's Kitchen~Trievers. At the time of this writing, the Act does not apply to residential homes; however, these two technical requirements could be applied in the future during the design, construction, and alteration of homes which are occupied by individuals with disabilities.

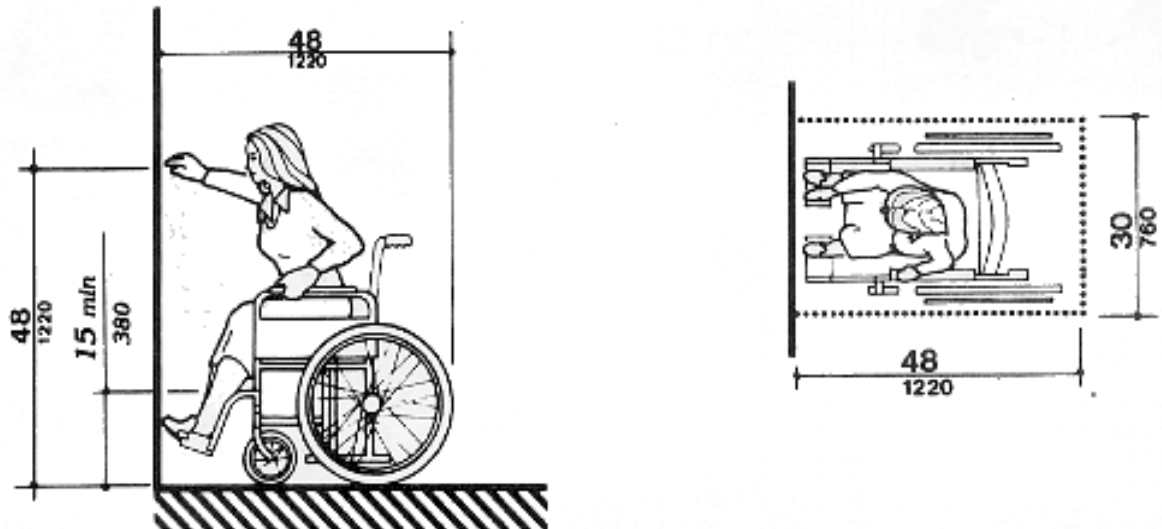
It is the intent of this publication to inform you, the Kitchen~Trievers distributor, as to how the law, in its current state, might apply to the Kitchen~Trievers if it were applicable today. In the Act's present form, there are only two accessibility guidelines that would apply to the use of a Kitchen~Trievers. The excerpts below are taken from the current Act as it appears on the Internet and should be taken into consideration when designing the customer's cabinets:

4.2.5* Forward Reach. If the clear floor space only allows forward approach to an object, the maximum high forward reach allowed shall be 48 in (1220 mm) ([see Fig. 5\(a\)](#)). The minimum low forward reach is 15 in (380 mm). If the high forward reach is over an obstruction, reach and clearances shall be as shown in [Fig. 5\(b\)](#).

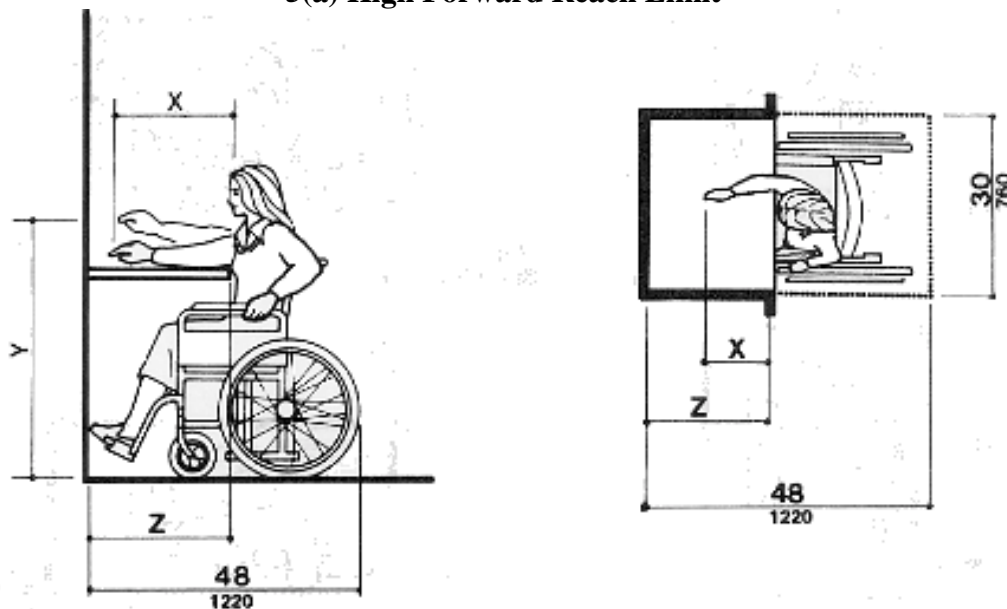
4.2.6* Side Reach. If the clear floor space allows parallel approach by a person in a wheelchair, the maximum high side reach allowed shall be 54 in (1370 mm) and the low side reach shall be no less than 9 in (230 mm) above the floor ([Fig. 6\(a\)](#) and [6\(b\)](#)). If the side reach is over an obstruction, the reach and clearances shall be as shown in [Fig 6\(c\)](#).

For further information on other guidelines of the Act, you may log onto <http://www.access-board.gov/bfdg/adaag.htm#purpose>.

ADA Guidelines for Forward Reach



5(a) High Forward Reach Limit



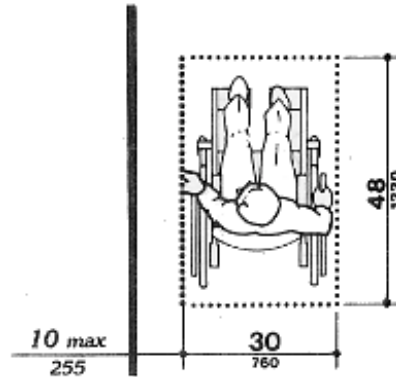
NOTE: x shall be ≤ 25 in (635 mm); z shall be $\geq x$. When $x < 20$ in (510 mm), then y shall be 48 in (1220 mm) maximum. When x is 20 to 25 in (510 to 635 mm), then y shall be 44 in (1120 mm) maximum.

Figure 5b

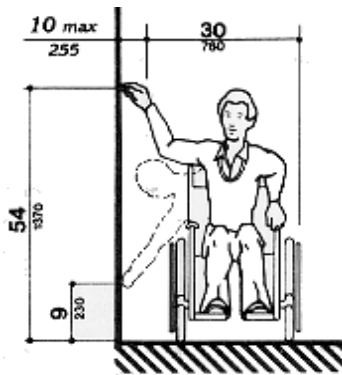
Maximum Forward Reach over an Obstruction

The maximum level forward reach over an obstruction with knee space below is 25 inches (635 mm). When the obstruction is less than 20 inches (510 mm) deep, the maximum high forward reach is 48 inches (1220 mm). When the obstruction projects 20 to 25 inches (510 mm to 635 mm), the maximum high forward reach is 44 inches (1120 mm). (4.2.5, 4.25.3)

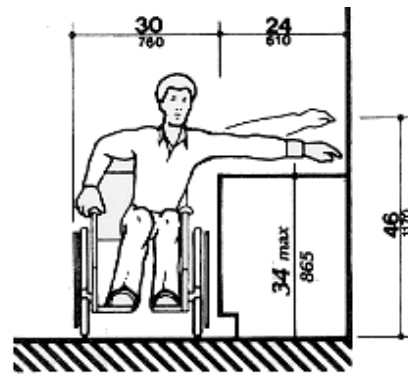
ADA Guideline for Side Reach



6(a) Clear Floor Space Parallel Approach



6(b) High Low Side Reach



6(c) Maximum Side Reach over Obstruction

Figure 6(a)
Clear Floor Space - Parallel Approach

The 30 by 48 inch clear floor space is located a maximum 10 inches (255 mm) from the wall.

Figure 6(b)
High and Low - Side Reach Limits

The 30 by 48 inch wheelchair clear floor space is located a maximum 10 inches (255 mm) from the wall.

Figure 6(c)
Maximum Side Reach over Obstruction

If the depth of the obstruction is 24 inches (610 mm) and the maximum height of the obstruction is 34 inches (865 mm), the maximum high side reach over the obstruction is 46 inches (1170).